



# User Guide

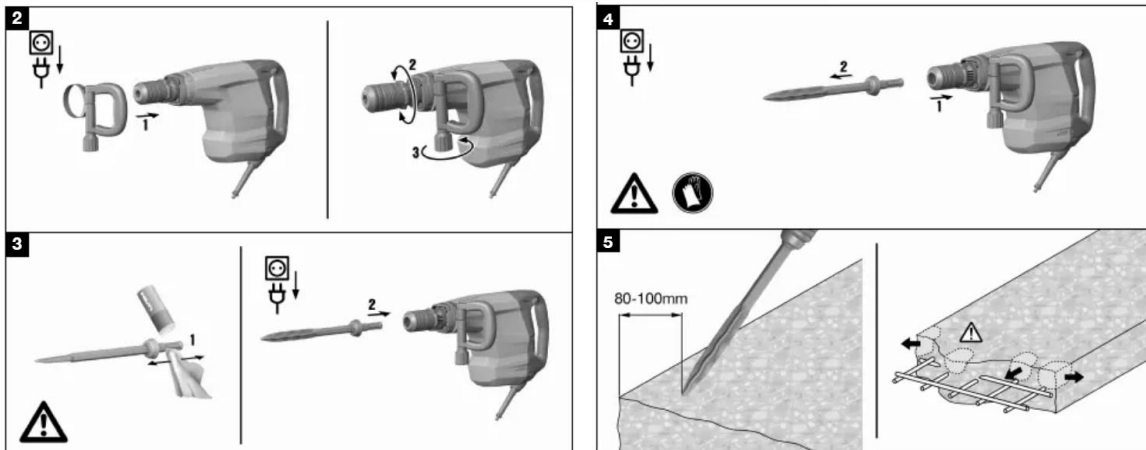
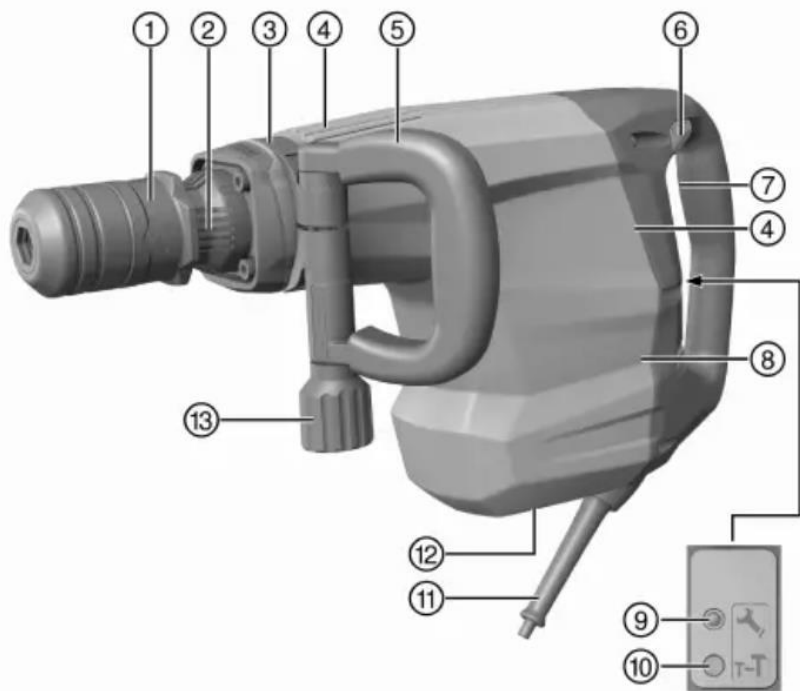
## TE 800-AVR Breaker



Martello Hire & Logistics Limited  
Unit 12 Riverside Industrial Estate  
West Hythe Road  
Hythe  
Kent  
CT21 4NB

Tel: 01303 901399

# User Guide TE 800-AVR Breaker



## Information about the documentation

Read this documentation before initial operation or use. This is a prerequisite for safe, trouble-free handling and use of the product.

Observe the safety instructions and warnings in this documentation and on the product.

Always keep the operating instructions with the product and make sure that the operating instructions are with the product when it is given to other persons.

## Warnings

Warnings alert persons to hazards that occur when handling or using the product. The following signal words are used:

**⚠ DANGER**  
**DANGER !**

Draws attention to imminent danger that will lead to serious personal injury or fatality.

## **WARNING**

### **WARNING !**

Draws attention to a potential threat of danger that can lead to serious injury or fatality.





## **CAUTION**

### **CAUTION !**

Draws attention to a potentially dangerous situation that could lead to slight personal injury or damage to the equipment or other property.





#### **Symbols in the Documentation**

The following symbols are used in this document:

	Read the operating instructions before use.
	Instructions for use and other useful information
	Dealing with recyclable materials
	Do not dispose of electric equipment and batteries as household waste

#### **Symbols in the Illustrations**

The following symbols are used in illustrations:

	These numbers refer to the corresponding illustrations found at the beginning of these operating instructions
	The numbering reflects the sequence of operations shown in the illustrations and may deviate from the steps described in the text
	Item reference numbers are used in the <b>overview illustrations</b> and refer to the numbers used in the <b>product overview section</b>
	This symbol is intended to draw special attention to certain points when handling the product.

#### **Product-Dependent Symbols**

##### **Symbols on the Product**

The following symbols are used on the product:

	Service indicator
	Power selector

#### **Product Information**

**Hilti** products are designed for professional use and may be operated, serviced and maintained only by trained, authorized personnel. This personnel must be specifically informed about the possible hazards. The product and its ancillary equipment can present hazards if used incorrectly by untrained personnel or if used not in accordance with the intended use.

The type designation and serial number are printed on the rating plate.

You will be required to state the product details when contacting Hilti Service or your local Hilti organization to inquire about the product.

##### **Product information**

Breaker TE 800-AVR

Generation 01

Serial no. 123355

## **Safety - General power tool safety warnings**

### **WARNING**

Read all safety warnings and all instructions. Failure to follow the warnings and instructions may result in electric shock, fire and/or serious injury.

Save all warnings and instructions for future reference.

The term "power tool" in the warnings refers to your mains-operated (corded) power tool or battery-operated (cordless) power tool.

### **Work Area Safety**

Keep work area clean and well lit. Cluttered or dark areas invite accidents.

Do not operate power tools in explosive atmospheres, such as in the presence of flammable liquids, gases or dust. Power tools create sparks which may ignite the dust or fumes.

Keep children and bystanders away while operating a power tool. Distractions can cause you to lose control.

### **Electrical safety**

Power tool plugs must match the outlet. Never modify the plug in any way. Do not use any adapter plugs with earthed (grounded) power tools. Unmodified plugs and matching outlets will reduce risk of electric shock.

Avoid body contact with earthed or grounded surfaces, such as pipes, radiators, ranges and refrigerators. There is an increased risk of electric shock if your body is earthed or grounded.

Do not expose power tools to rain or wet conditions. Water entering a power tool will increase the risk of electric shock.

Do not abuse the cord. Never use the cord for carrying, pulling or unplugging the power tool. Keep cord away from heat, oil, sharp edges or moving parts. Damaged or entangled cords increase the risk of electric shock.

When operating a power tool outdoors, use an extension cord suitable for outdoor use. Use of a cord suitable for outdoor use reduces the risk of electric shock.

If operating a power tool in a damp location is unavoidable, use a residual current device (RCD) protected supply. Use of an RCD reduces the risk of electric shock.

### **Personal Safety**

Stay alert, watch what you are doing and use common sense when operating a power tool. Do not use a power tool while you are tired or under the influence of drugs, alcohol or medication. A moment of inattention while operating power tools may result in serious personal injury.

Use personal protective equipment. Always wear eye protection. Protective equipment such as dust mask, non-skid safety shoes, hard hat, or hearing protection used for appropriate conditions will reduce personal injuries.

Prevent unintentional starting. Ensure the switch is in the off-position before connecting to power source and/or battery pack, picking up or carrying the tool. Carrying power tools with your finger on the switch or energising power tools that have the switch on invites accidents.

Remove any adjusting key or wrench before turning the power tool on. A wrench or a key left attached to a rotating part of the power tool may result in personal injury.

Do not overreach. Keep proper footing and balance at all times. This enables better control of the power tool in unexpected situations.

Dress properly. Do not wear loose clothing or jewellery. Keep your hair, clothing and gloves away from moving parts. Loose clothes, jewellery or long hair can be caught in moving parts.

If devices are provided for the connection of dust extraction and collection facilities, ensure these are connected and properly used. Use of dust collection can reduce dust-related hazards.

## **Power Tool Use**

Do not force the power tool. Use the correct power tool for your application. The correct power tool will do the job better and safer at the rate for which it was designed.

Do not use the power tool if the switch does not turn it on and off. Any power tool that cannot be controlled with the switch is dangerous and must be repaired.

Disconnect the plug from the power source and/or the battery pack from the power tool before making any adjustments, changing accessories, or storing power tools. Such preventive safety measures reduce the risk of starting the power tool accidentally.

Store idle power tools out of the reach of children and do not allow persons unfamiliar with the power tool or these instructions to operate the power tool. Power tools are dangerous in the hands of untrained users.

Maintain power tools. Check for misalignment or binding of moving parts, breakage of parts and any other condition that may affect the power tool's operation. If damaged, have the power tool repaired before use. Many accidents are caused by poorly maintained power tools.

Keep cutting tools sharp and clean. Properly maintained cutting tools with sharp cutting edges are less likely to bind and are easier to control.

Use the power tool, accessories and tool bits etc. in accordance with these instructions, taking into account the working conditions and the work to be performed. Use of the power tool for operations different from those intended could result in a hazardous situation.

## **Service**

Have your power tool serviced by a qualified repair person using only identical replacement parts. This will ensure that the safety of the power tool is maintained.

## **Hammer Safety Warnings**

Wear ear protectors. Exposure to noise can cause hearing loss.

Use auxiliary handles, if supplied with the tool. Loss of control can cause personal injury.

Hold power tool by insulated gripping surfaces, when performing an operation where the cutting accessory may contact hidden wiring or its own cord. Cutting accessory contacting a "live" wire may make exposed metal parts of the power tool "live" and could give the operator an electric shock.

## **Additional Safety Instructions For Breakers**

### **Personal Safety**

Use the product only when it is in technically faultless condition.

Never tamper with or modify the tool in any way.

When chiseling into ceilings, walls and floors, always make sure that you have a safe and firm stance. A sudden break-through can affect your balance!

Apply appropriate safety measures at the opposite side of the workpiece in work that involves breaking through. Parts breaking away could fall out and / or fall down causing injury to other persons.

You and any other persons in the vicinity must wear suitable eye protection, a hard hat, ear protection, protective gloves and respiratory protection while the tool is in use.

Wear protective gloves also when changing the accessory tool. Touching the accessory tool can result in cuts and burns.

Wear eye protection. Flying fragments can injure the body and eyes.

Before starting work, check the hazard class of the dust that will be produced when working. Use an industrial vacuum cleaner with an officially approved protection class in compliance with the locally applicable dust protection regulations. Dust from

materials such as lead-based paint, certain types of wood and concrete/masonry/stone containing quartz, minerals or metal can be harmful to health.

Make sure that the workplace is well ventilated and, where necessary, wear a respirator appropriate for the type of dust generated. Contact with or inhalation of the dust may cause allergic reactions and/or respiratory or other diseases among operators or bystanders. Certain kinds of dust are classified as carcinogenic such as oak and beech dust, especially in conjunction with additives for wood conditioning (chromate, wood preservative). Material containing asbestos may be handled only by specialists.

Take breaks and do physical exercises to improve the blood circulation in your fingers. Exposure to vibration during long periods of work can lead to disorders of the blood vessels and nervous system in the fingers, hands and wrists.

### Electrical Safety

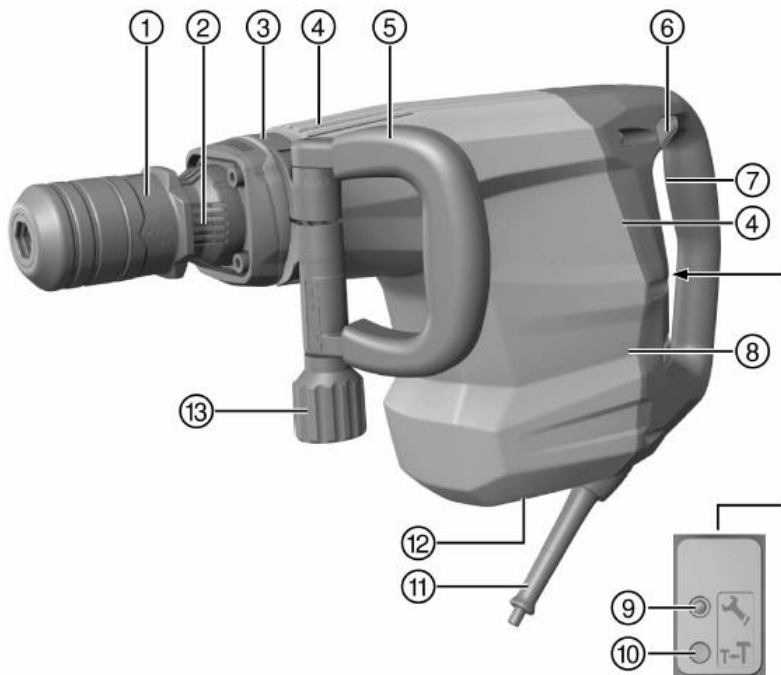
Before beginning work, check the working area for concealed electric cables or gas and water pipes. External metal parts of the power tool can become live, presenting a risk of electric shock, if you accidentally damage an electric cable.

### Careful Handling and Use of Electric Tools

Wait until the power tool stops completely before you lay it down.

### Description

#### Product Overview



1. Chuck and chisel position adjustment
2. Cooling slots
3. Clamping band
4. Air vents
5. Side handle
6. On / off switch
7. Grip
8. Display
9. Service indicator
10. Power level indicator
11. Supply cord
12. Rating plate
13. Knob

## Intended Use

The product described is an electrically-powered breaker with pneumatic hammering mechanism. It is designed for heavy chiseling work on masonry and concrete.

Operation is permissible only when connected to a power source providing a voltage and frequency in compliance with the information given on the type identification plate.

## Noise information

Sound (power) level (LWA)	98 dB(A)
Uncertainty for the sound power level (KWA)	3 dB(A)
Emission sound pressure level (LpA)	87 dB(A)
Uncertainty for the sound pressure level (KpA)	3 dB(A)

## Information about Vibration

	TE 800AVR
Chiseling (ah, Cheq)	16 m/s <sup>2</sup> 8 m/s <sup>2</sup>
Uncertainty (K)	1.5 m/s <sup>2</sup> 1.5 m/s <sup>2</sup>

## Operation

### Preparations at the workplace

**CAUTION Risk of injury!** Inadvertent starting of the product.

Unplug the supply cord before making adjustments to the power tool or before changing accessories. Observe the safety instructions and warnings in this documentation and on the product.

### Fitting the Side Handle

**CAUTION Risk of injury!** Loss of control over the breaker.

Check that the side handle is fitted correctly and tightened securely. Fit the side handle.

### Changing the Accessory Tool

**CAUTION Risk of injury!** The tool becomes hot as a result of use.

Wear protective gloves when changing the tool.

1. Apply a little grease to the connection end of the accessory tool.
2. Push the accessory tool into the chuck as far as it will go (until it engages). ➔ The product is ready for use.
3. Pull the chuck back as far as it will go and remove the accessory tool.

Use only the recommended grease supplied by **Hilti**. Use of unsuitable grease may cause damage to the product.

### Removing the Accessory Tool

**CAUTION Risk of fire!** Risk of contact between the hot accessory tool and highly inflammable materials.

Do not lay the hot accessory tool down on highly inflammable materials.

**Risk of injury!** The tool becomes hot as a result of use. Wear protective gloves when changing the tool. Remove the accessory tool.

### Positioning the Chisel

**CAUTION Risk of injury!** Loss of control over the chisel direction.

Do not operate the tool when the selector switch is set to "Chisel positioning". Turn the function selector switch until it engages in the "Chiseling" position. The chisel can be adjusted to 6 different positions (in 60° increments). This ensures that flat chisels and shaped chisels can always be set to the optimum working position.

### Setting the Chiseling Power

1. Press the power level selector switch.

➔ The power level indicator lights yellow.

➔ Power is reduced to 70%.

Reduce the power to 70% when you wish to chisel with greater precision.

The chiseling power level can be adjusted only when the tool is plugged in to the electric supply. Press the power level selector switch again to return to full chiseling power.

### Types of work

**Risk of electric shock!** Severe injury and burns can result if any attempt is made to operate the tool without an earth/ground conductor and ground fault circuit interrupter correctly connected.

Irrespective of whether mains power or generator power is used, always make sure that an earth/ground conductor and ground fault circuit interrupter are present in the power supply and that these are correctly connected.

Do not use the product unless these safety measures are in place and fully operational.

**A damaged supply cord presents a hazard!** Do not touch the supply cord or extension cord if damaged while working.

Disconnect the supply cord plug from the power outlet.

Check the appliance's supply cord at regular intervals and have it replaced by a qualified specialist if found to be damaged.

Full approval must be obtained from the site engineer or architect prior to beginning the work.

### Chiseling

1. Plug the supply cord into the power outlet. Working at low temperatures: The hammering mechanism works only when the power tool has reached a minimum operating temperature. Bring the chisel into contact with the base material and allow the power tool to run under no load until the minimum operating temperature is reached. If necessary, repeat this procedure until the hammering mechanism begins to operate.

2. Bring the chisel into contact with the workpiece about 80 -100 mm (3<sup>1</sup>/<sub>8</sub>" - 4") from its edge.

3. To switch the power tool on, push the on/off switch to the right. ➔ The on/off switch remains engaged in this position (on the right).

4. To switch the power tool off, push the on/off switch to the left. ➔ The on/off switch remains engaged in this position (on the left). If inadequate pressure is applied, the chisel will jump around uncontrollably. Application of excessive pressure will result in a loss of chiseling performance. When working close to reinforcing bars, always guide the tip of the chisel toward the edge of the workpiece, not toward a reinforcing bar.

### Care and Maintenance

**Electric shock hazard!** Attempting care and maintenance with the supply cord connected to a power outlet can lead to severe injury and burns. Always unplug the supply cord before carrying out care and maintenance tasks.

#### Care

- Carefully remove any dirt that may be adhering to parts.
- Clean the air vents carefully with a dry brush.
- Use only a slightly damp cloth to clean the casing. Do not use cleaning agents containing silicone as these may attack the plastic parts.

#### Maintenance

**Danger of electric shock!** Improper repairs to electrical components may lead to serious injuries including burns.

Repairs to the electrical section of the tool or appliance may be carried out only by trained electrical specialists.

Check all visible parts and controls for signs of damage at regular intervals and make sure that they all function correctly.

Do not operate the product if signs of damage are found or if parts malfunction. Contact Martello Hire & Logistics Ltd.

After cleaning and maintenance, fit all guards or protective devices and check that they function correctly. To help ensure safe and reliable operation, use only genuine Hilti spare parts and consumables.

### Transport and Storage

#### Transport

Do not transport this product with an accessory tool installed.

Make sure that the equipment is held securely throughout all transport operations.

After transporting, always check all visible parts and controls for signs of damage and make sure that they all function correctly.

#### Storage

Always store this product with the electric supply cable unplugged from the electricity supply.

Store this product in a dry place, where it cannot be accessed by children or unauthorized persons.

After a long period of storage, always check all visible parts and controls for signs of damage and make sure that they all function correctly.

For a fully copy of the User Manual please visit [www.martellohire.co.uk](http://www.martellohire.co.uk)